

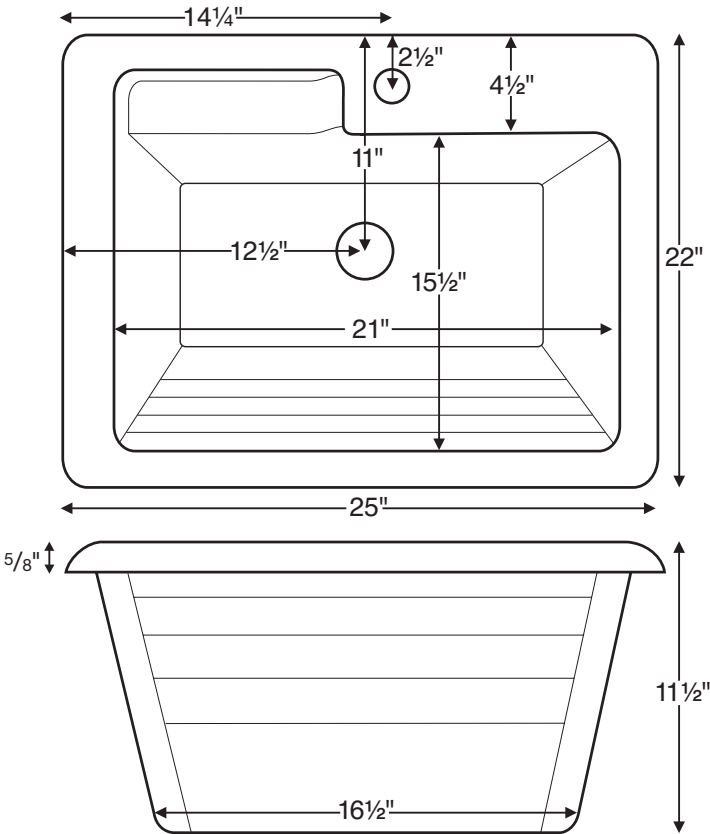
RLS110

25" x 22"

Bowl depth: 11.5"

Material: Acrylic

Shipping Weight: 15 lbs / 7 kg



Available Colors	
NOTE: part codes listed in parenthesis.	
White	(RLS110W)
Biscuit	(RLS110B)

Note: Measurements are ±1/2" and are subject to change without notice. Data herein supersedes all previous prior to publication date indicated below.

CONSTRUCTION AND STANDARD FEATURES

- Single-bowl design; 3.5" drain opening pre-drilled.
- Can be undermounted or caulked directly to the countertop without the use of clips or channels.
- No holes drilled standard. For top mount, up to 4 holes can be drilled at no additional charge. Must indicate number of holes on order.
- No holes can be drilled if under mounting. Holes will be drilled by installer.
- Durable Lucite® Cast acrylic shell is extremely scratch- and stain-resistant yet renewable because the color goes all the way through the material.
- Non-porous surface makes cleaning and sanitizing faster and more effective.
- Multi-layered reinforced backing of thick fiberglass, resin and titanium.
- Up to 30% thicker and stronger than other makes.
- 1-year limited residential and commercial warranty.